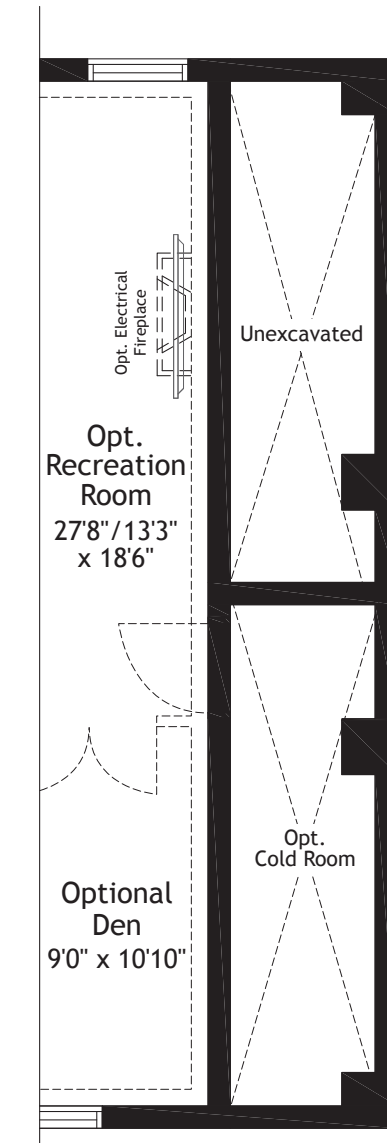
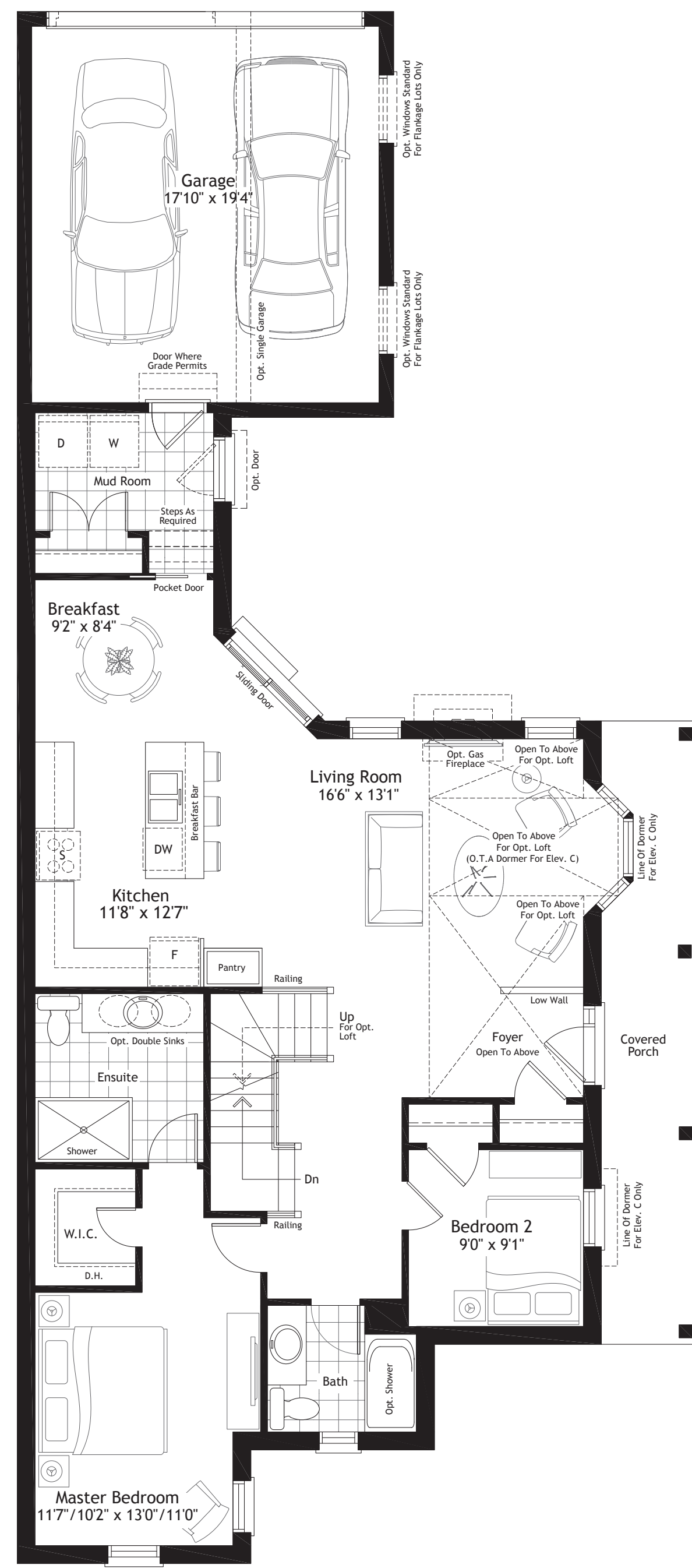


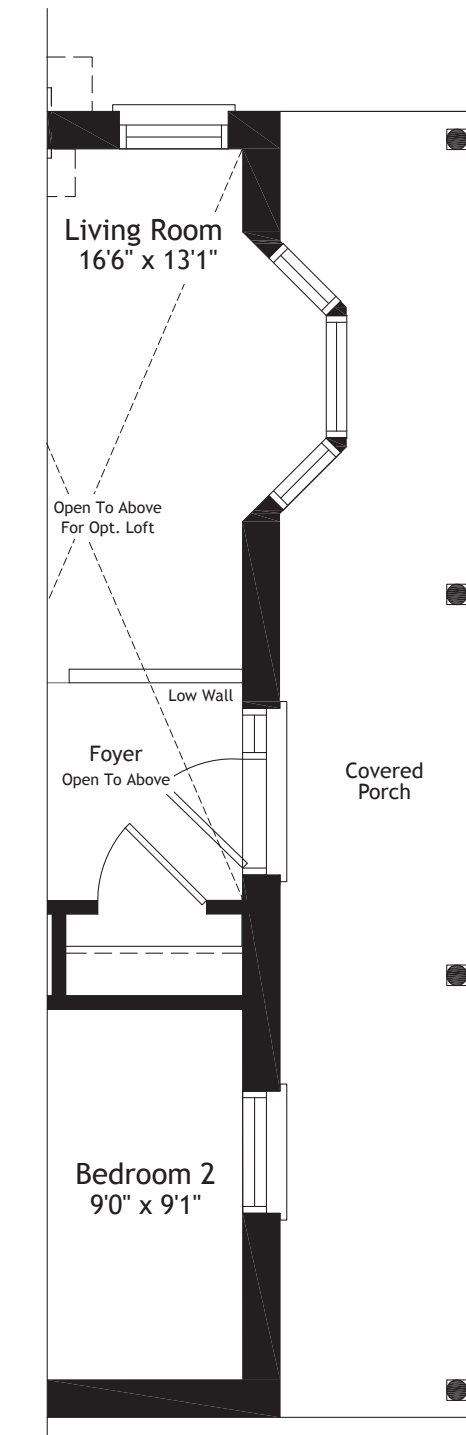
Basement



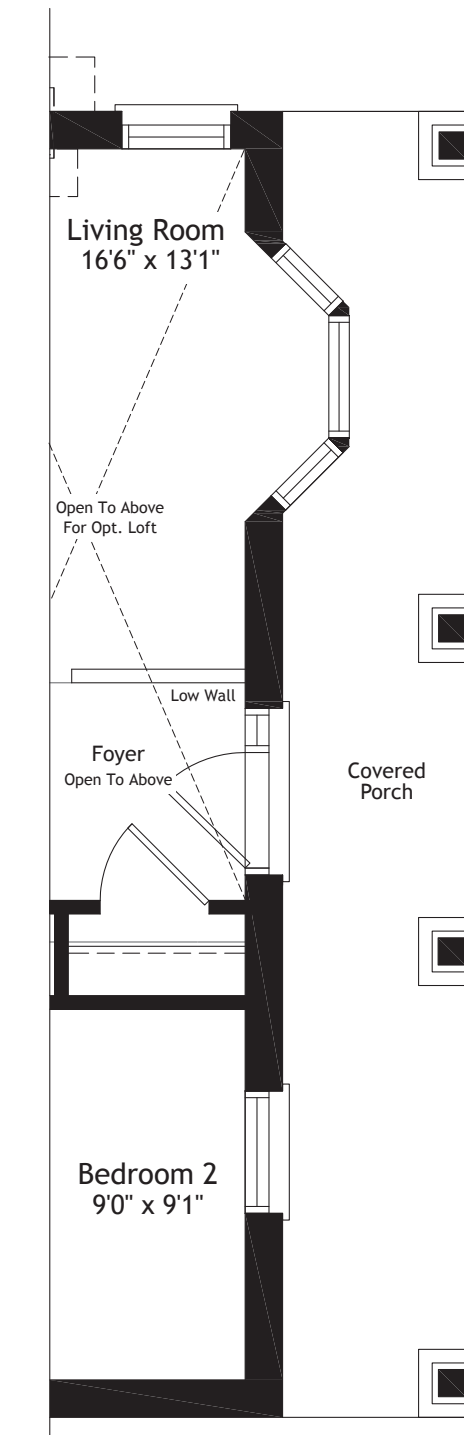
Basement Elev. AC



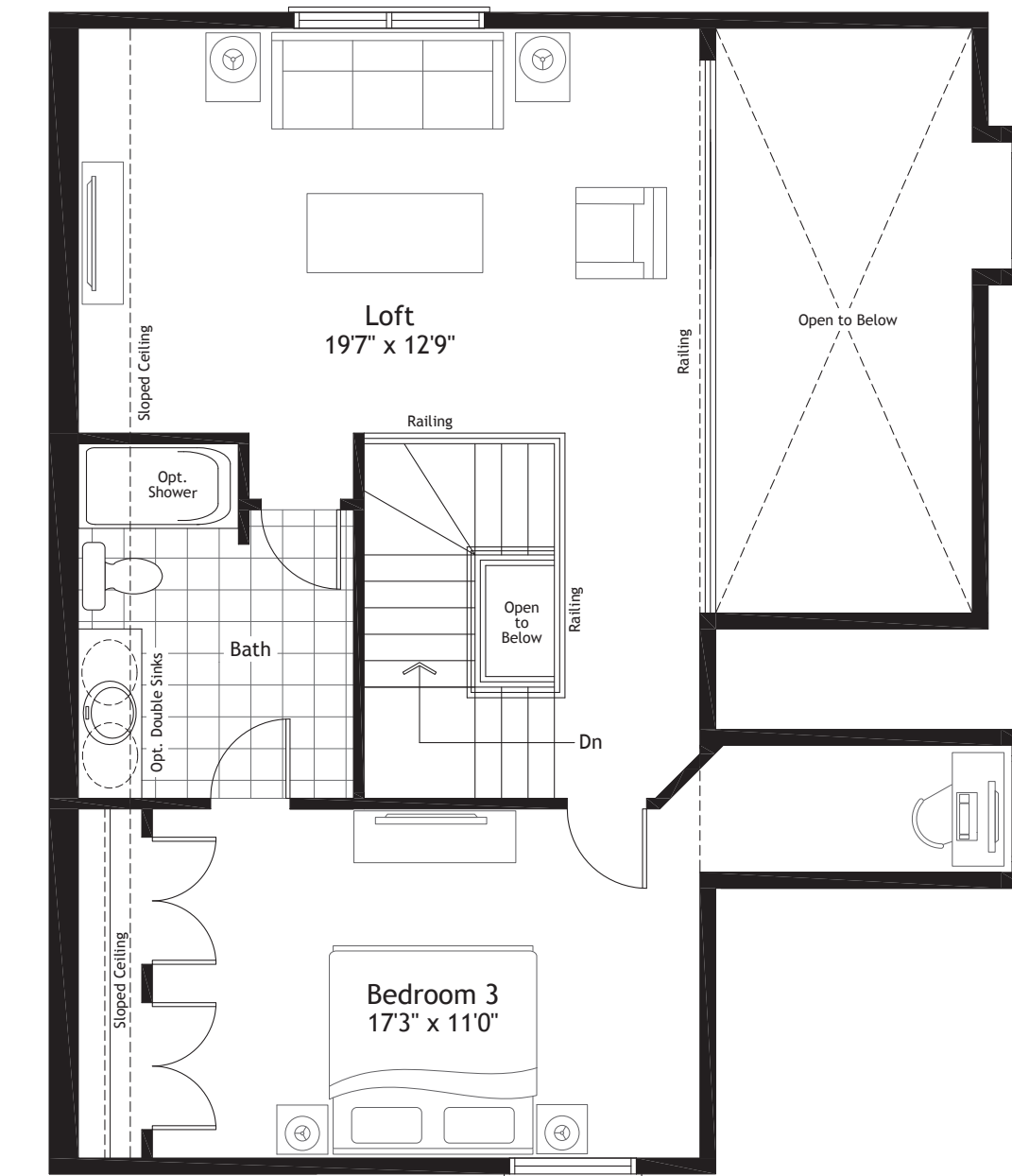
Main Floor Elev. C



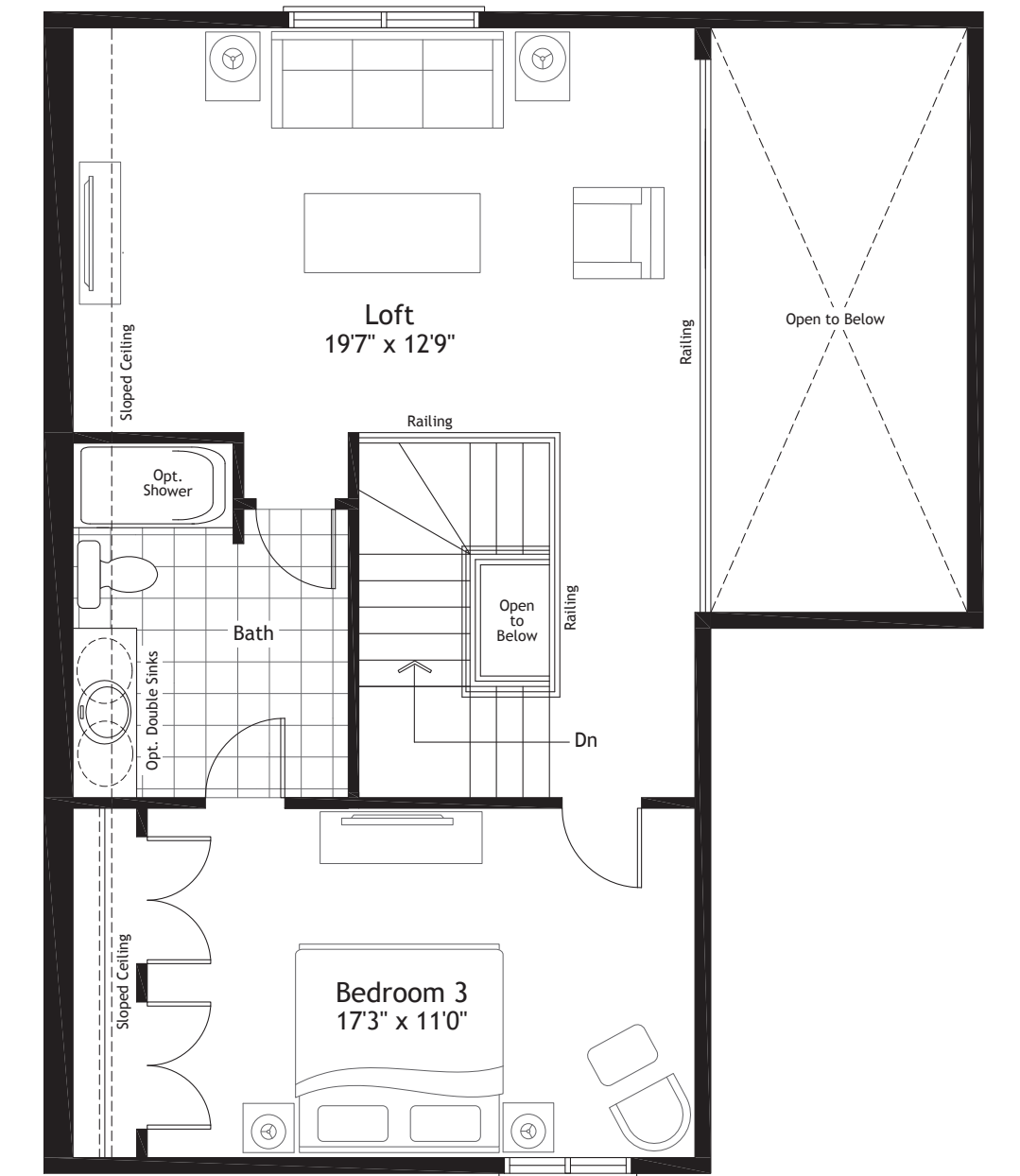
Main Floor Elev. V



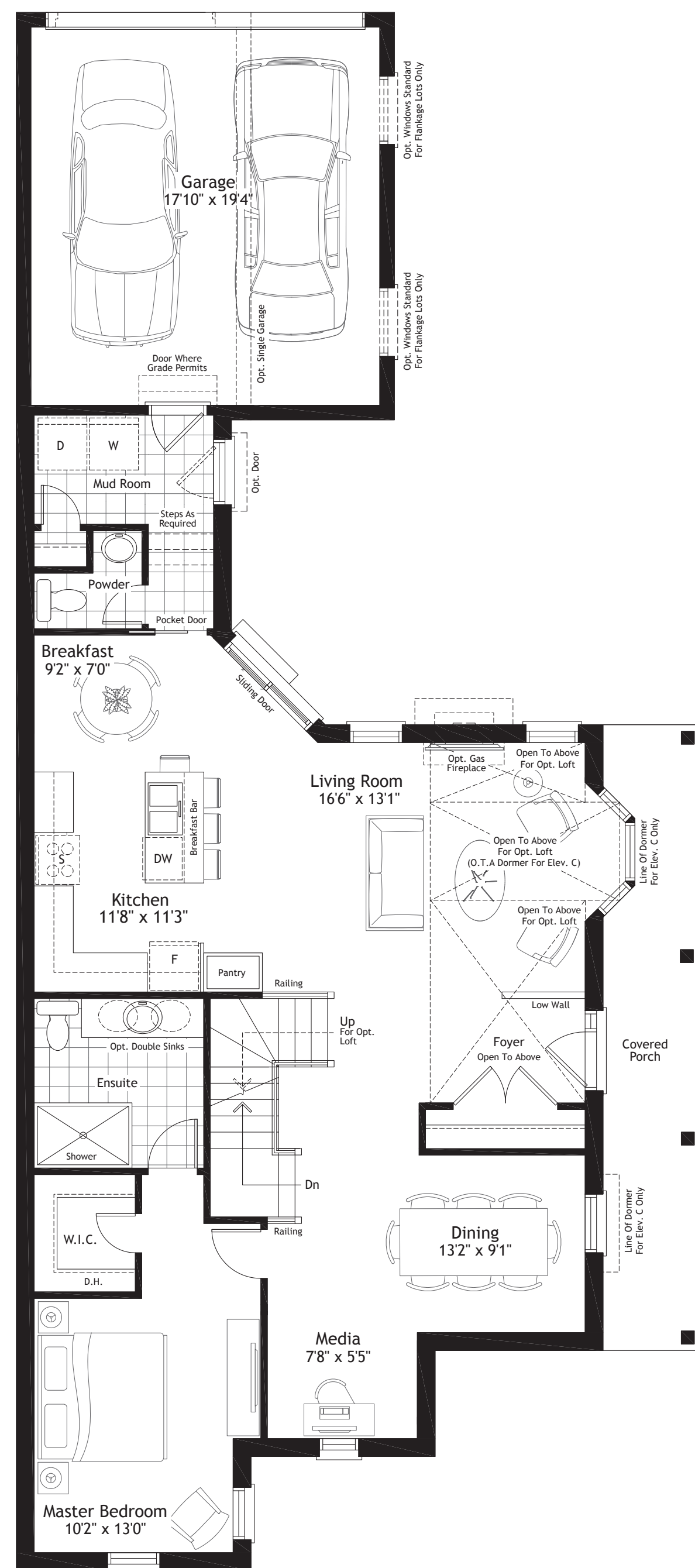
Main Floor Elev. AC



Loft Plan Elev. C



Loft Plan Elev. V & AC



Opt. Main Floor Elev. C